



Instruction

Directory

IMPORTANT SAFETY INSTRUCTIONS	2
CAUTIONS.....	2
Q&A.....	3
1.INTRODUCTION	4
2.CONNECTIONS AND CONTROLS	5
FRONT PANEL	5
REAR PANEL	6
3.SETTING UP	7
TOUCH SCREEN CALIBRATION.....	7
4.WHOLE INSTALLATION	11
5.DIMENSION	12
6. BATTERY INSTALLATION	12
7.PARAMETERS	14
8.ACCESSORIES	15

IMPORTANT SAFETY INSTRUCTIONS

- Please read User Guide before using this product.
- Please keep User Guide for future reference.
- Please read the cautions to prevent possible danger and loss of property.

CAUTIONS

- Please do not place the display screen towards the ground.
- Avoid heavy impact or drop onto the ground.
- The fuselage is external, close a power source, allocate away mains lead if should be clean, quality cloth cleans with tiny wet soft when clean screen, in order to not lose trifling soft of cotton please.
- Please do not block any vent hole.
- Strictly forbid the machine presumptuously dismantling or keeping the machine, otherwise, possibility damage in repair.
- Do not place with your equipment or accessory and other inflammable liquid, the gas or other explosive articles place together, to avoid happening dangerous.

Q&A

1. Power Issues cannot power on

Please check the connector plugs and connector jack.

Ps: Please make sure that power switch cable connected well to avoid unnecessary problems.

2. Screen Issues

No display.

Implement time last long when click on functions, which result in can't be activated.

Delaying or stagnating when pictures switch.

Please restart the device when above-mentioned issues happen.

Touch screen don't response to clicks correctly.

Please calibrate the touch screen. (see more details on "Touch screen calibration")

Screen displays blurred.

Please check whether screen has dustiness or not. Please clean it with soft cloth, which do not litter flocking.

Note: Due to constant effort to improve products and product features, specifications may change without notice.

1. INTRODUCTION

Overview

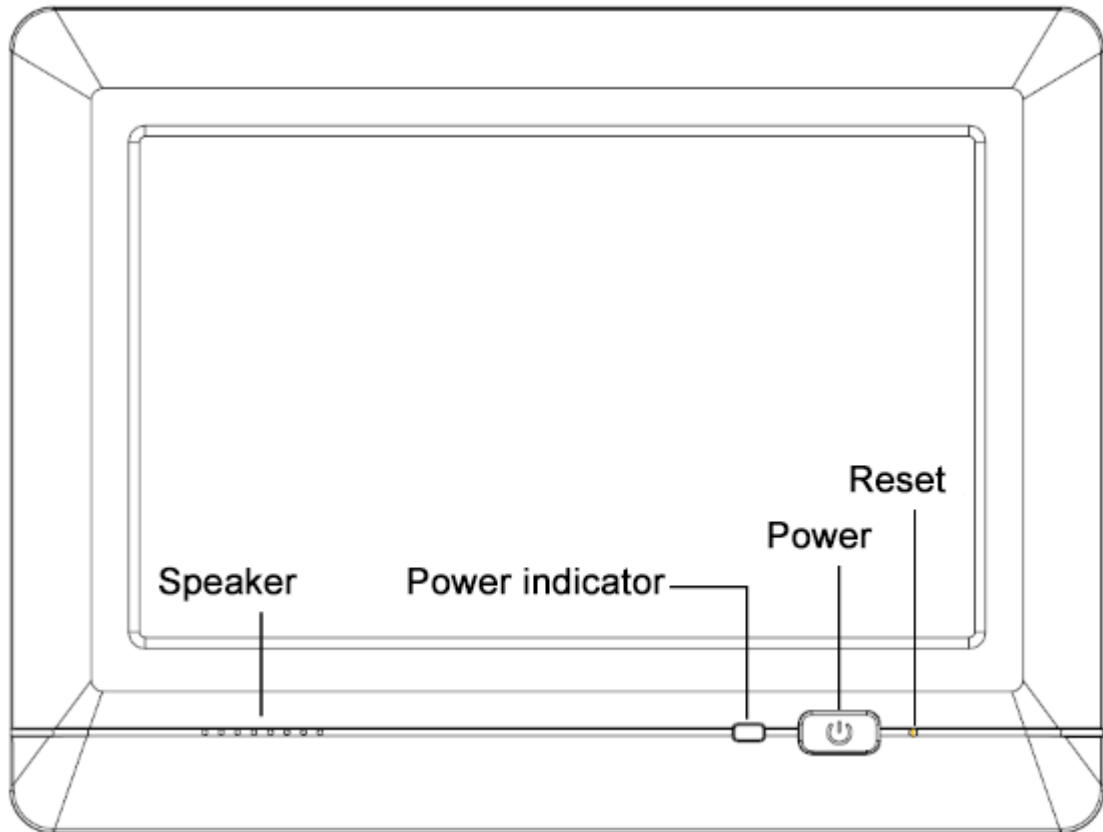
It's a highly performance embedded industrial control device, which has a core CPU of TI3352 processor (based on ARM Cortex-A8) with Windows Embedded Compact7 / Linux Debian7.0 operating system. With features of rich resources, interfaces, low consumption and high reliability, etc.

Features

- Reliable TI 3352 600MHz processor.
- ARM Cortex-A8 architecture.
- RAM: DDR3-512MB.
- ROM: 4GB eMMC Flash.
- Built-in 2600mAh battery.
- Extensions: RS232, RS422, LAN, TF, SIM&USB.
- 3G/ Wi-Fi / GPS for optional.
- 7" 800×480 resistive touch.
- 300cd/m² high brightness.
- 500:1 high contrast.

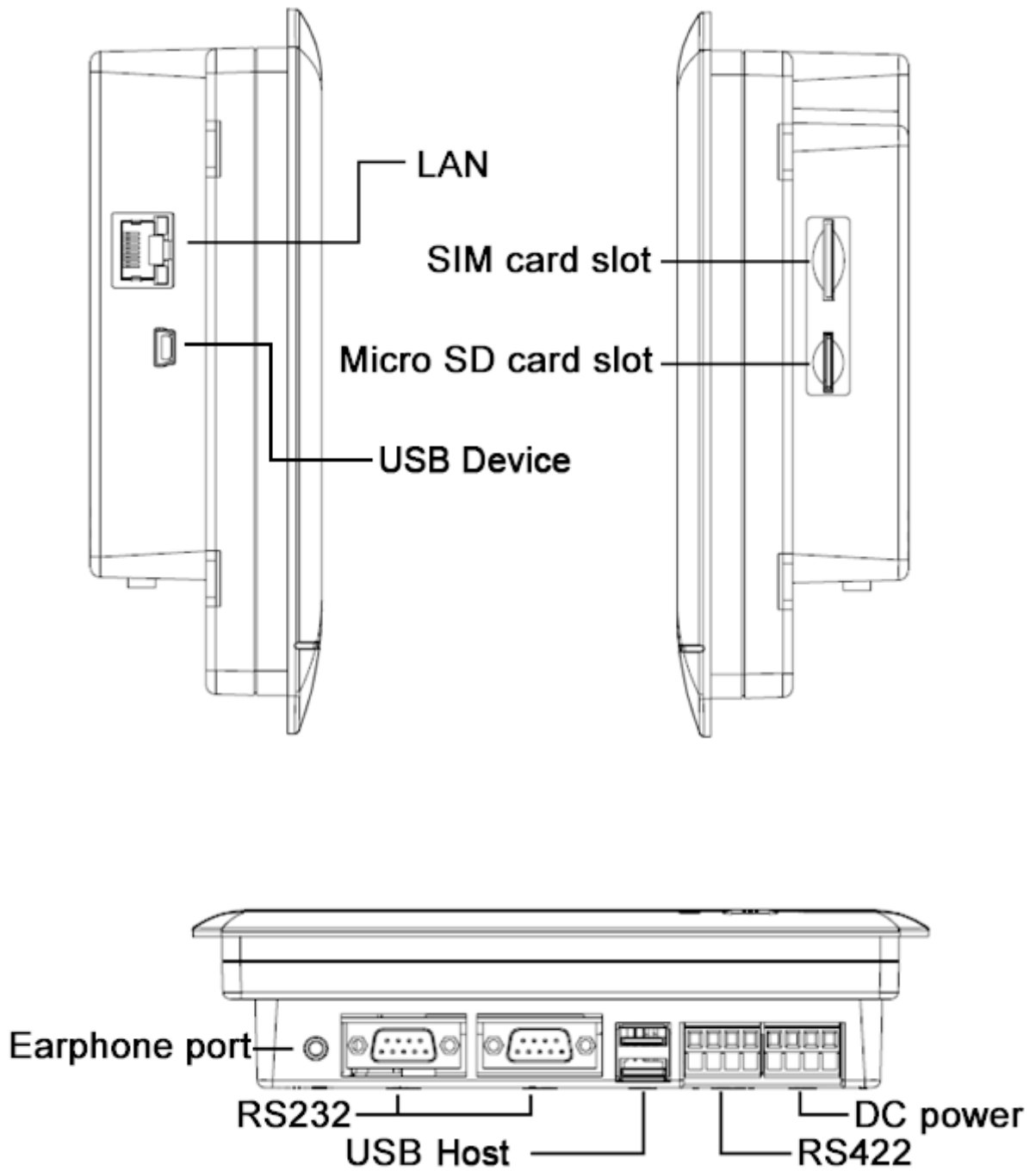
2. CONNECTIONS AND CONTROLS

Front Panel



Buttons	Description
Speaker	Speaker
Power indicator	<p>① If without battery, the indicator light is green when power on; and the indicator light is off when power off.</p> <p>② If with battery, and the battery is not fully charged, the light is red when power on; the light is green when battery fully charged; the light is red when battery charging after power off; the light is green when battery fully charged after power off.</p>
Power	Press to turn ON / OFF the monitor.
Reset	System restart

Rear Panel

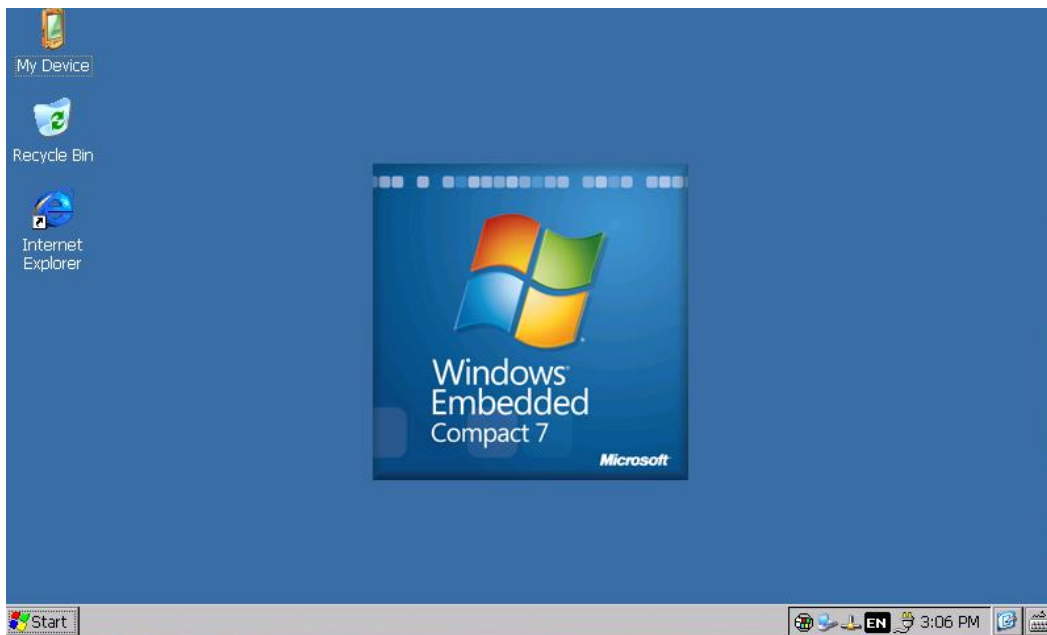


3. Setting Up

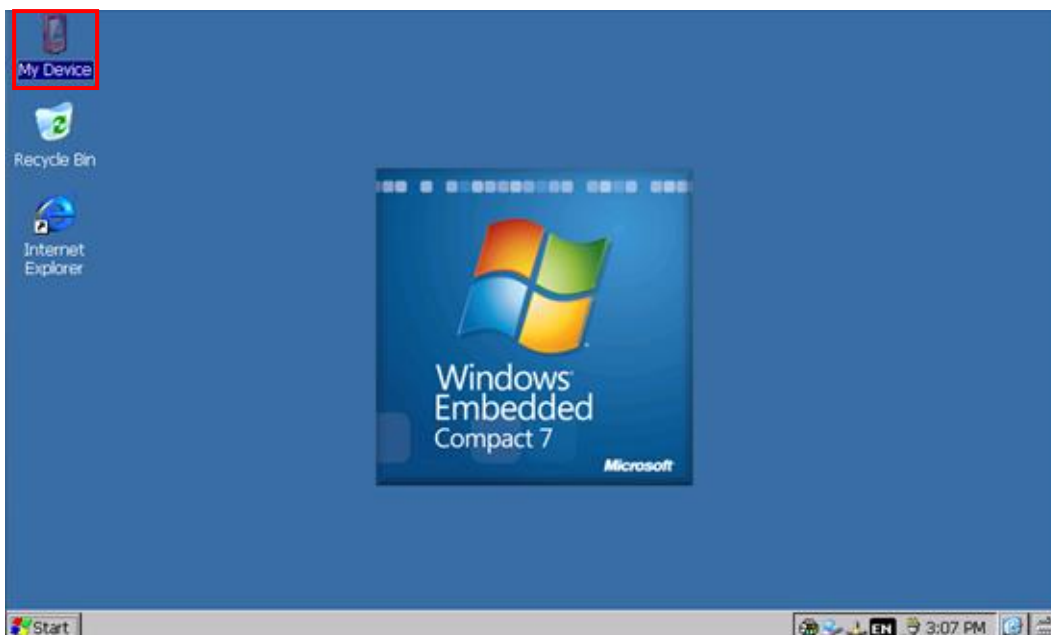
Touch screen calibration

If the touch screen can't respond to your click, please run the touch screen calibration program.

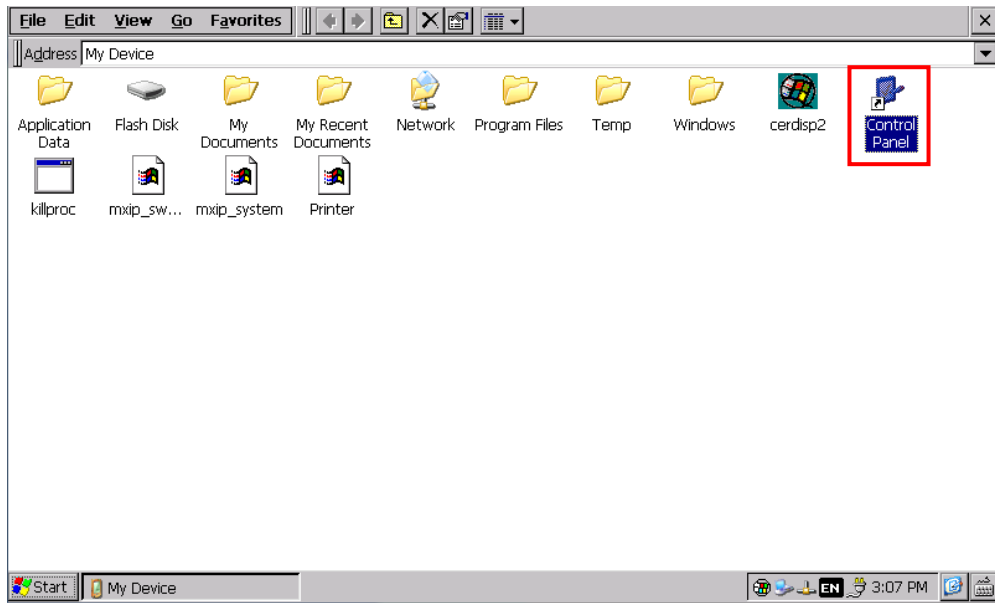
1. Connect the power and press the power key to open, directly enter into the OS of Windows Embedded Compact7



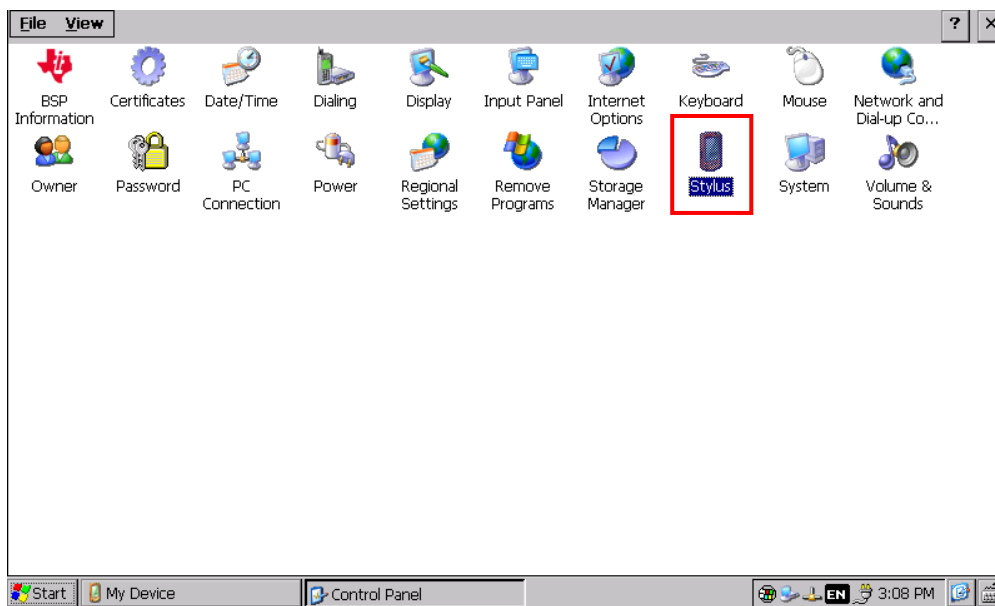
2. Click "My Device" enter into the file manager



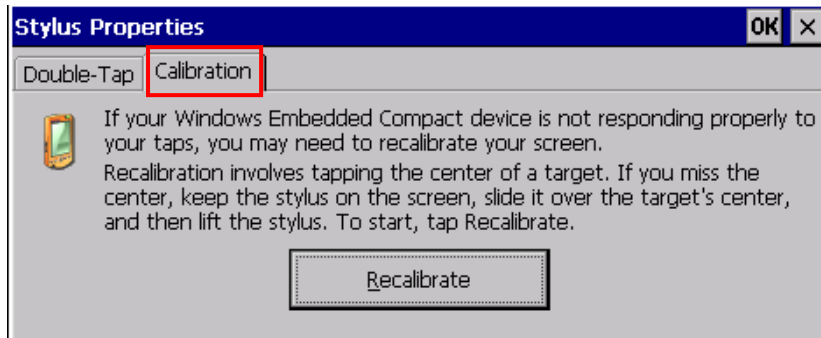
3. Click "Control Panel" in the file manager



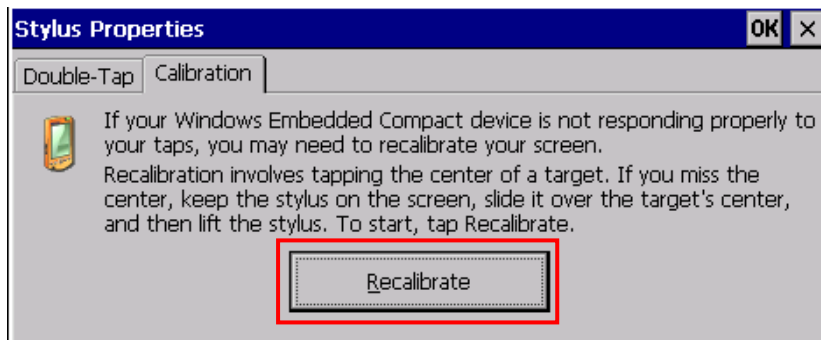
4. Then click "Stylus"



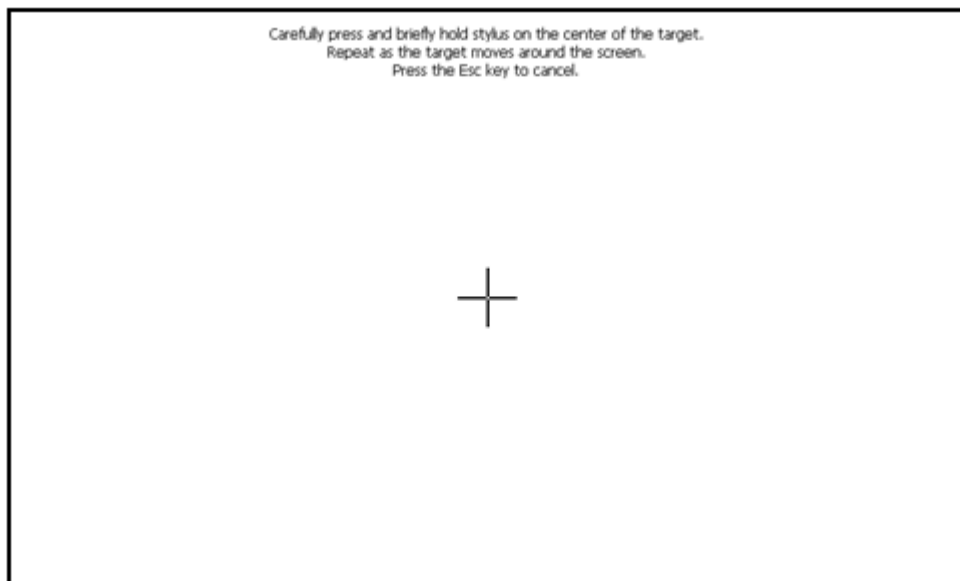
5. Select "**Calibration**" in "Stylus Properties" dialog box



6. Click "**Recalibrate**" to begin the calibration.



7. During calibration, keep your finger or touch pen on the cross center of the screen until it moves to another area on the screen.




【Operational tip】 Press on the center of the target, repeat as the target moves around the screen.

(there are 5 targets)

8. Arbitrarily click the screen after calibration. Return to "Stylus Properties"

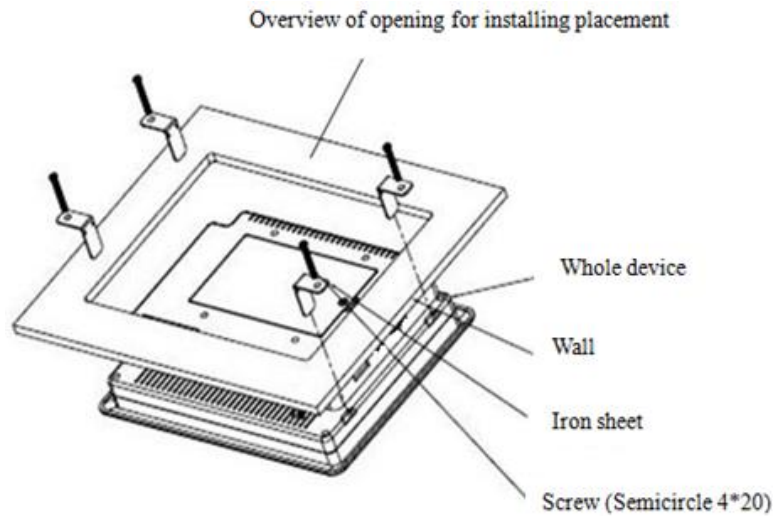


9. Finish calibration;

10. Click  to accept new setting, and exit the screen calibration.

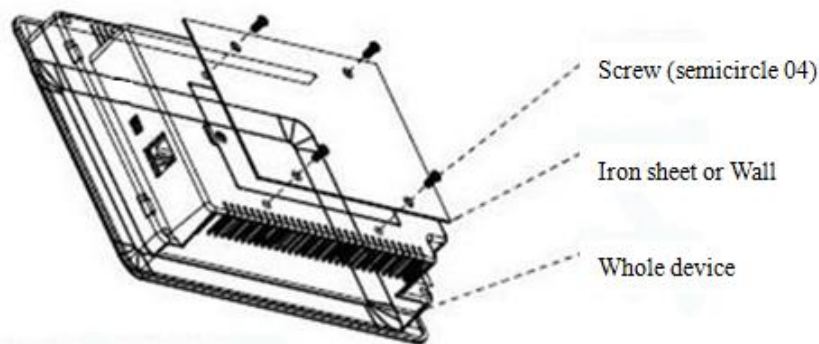
11. Click  to reserve original setting, and exit the screen calibration.

4. Whole Installation



About Mounting Process for Device

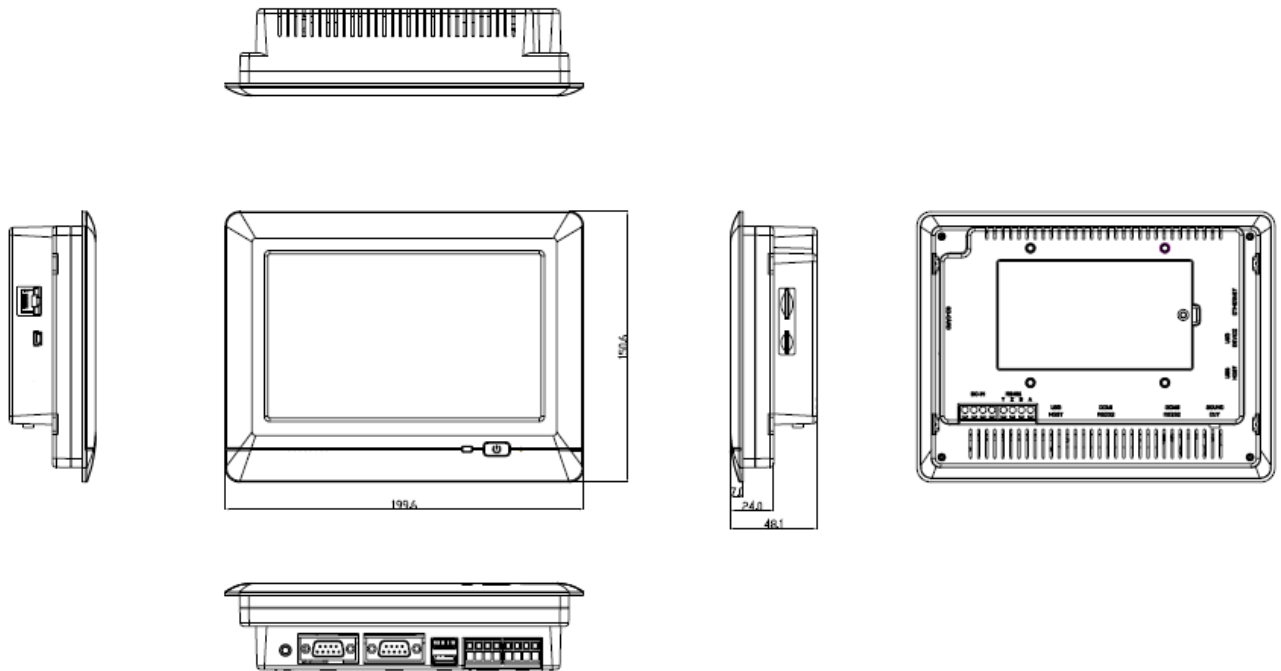
1. Mounting the whole device into the wall. (ps: the thickness of wall should be within 15mm)
2. Insert the 4 iron sheets to the sockets at the back of device. (as the guiding lines of above chart)
3. Lock the 4 screws (semicircle 4*20) up to the holes of iron sheets until the end.



About VESA Mounting Process for Device

Lock the 4 screws (semicircle 04) through the holes of iron sheet or wall up to the standard VESA sockets at the back of device. (Ps: with the standard of thickness is 1mm for iron sheet or wall, the length of screw is 6mm; when the thickness of iron sheet or wall added by 1mm, as well as the length of screw accordingly, and so forth)

5. DIMENSION

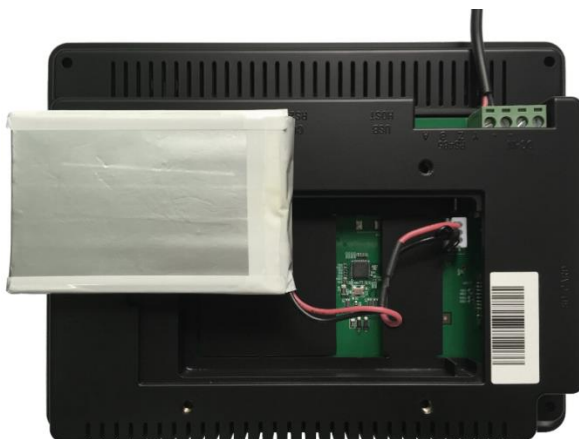


6. Battery Installation

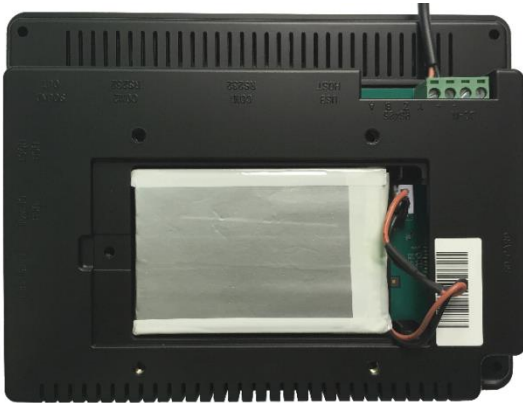
I. Battery:



II. Plug power line into socket of battery slot



III. After plug in and put the battery into slot



IV. Settle the power line in the slot, then finish installation.



V. Serial port switch.



7. Parameters

System configuration	CPU TI 3352 600MHz	
	ARM Cortex-A8	
	ROM: 4GB eMMC Flash	RAM: DDR3-512MB
	OS: Windows Embedded Compact7/ Linux Debian 7.0	
Interface	SIM card slot	
	Micro SD (TF) card slot	
	USB Device 2.0x1, USB Host 2.0x2	
	Earphone output port	
	DC power input	
	RS232x2 / RS422x1 (or RS485x1) interface	
	LAN Ethernet	
Function	Optional: 3G / Wi-Fi / GPS	
Touch Panel	4-wire resistive	
Display	7" LED backlight	
Screen Resolution	800x480	
Brightness	300cd/m ²	
Contrast	500:1	
Viewing Angle	140°/120°(H / V)	
Power Supply	DC 9~36V (without battery)	DC 11~36V (with battery)
Battery	Built-in 2600mAh (optional)	
Power Consumption	≤7W	≤9W(with battery)
Working Temperature	-20°C ~ 60°C	
Working Temperature (with battery)	0°C ~ 50°C	
Storage Temperature	-30°C ~ 70°C	
Storage Temperature (with battery)	-10°C ~60°C	
Dimension(mm)	482.5(L)× 178(W)× 38(D) mm	
Weight	516g (without battery)	610g (with battery)

8. Accessories



DC12V adapter (optional)



Mini USB cable



Touch pen



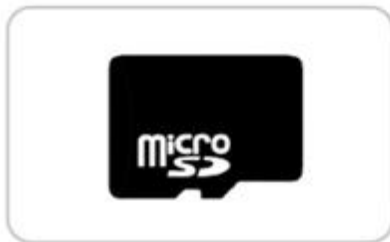
CD drive



Fixed screws



2600mAh Battery (optional)



TF card (optional)



VESA 75mm rail slot (optional)



75mm VESA folding bracket (optional)