



TK1010-NP/C/T
TK1010-NP/C
(without touch function)

Rich Interfaces

Metal Housing

10.1" Touch Screen

10.1 inch LED display with 4-wire resistive touch, also features with 16:9 aspect ratio, 1024*600 resolution, 140°/110° viewing angles, 500:1 contrast and 250cd/m² brightness, providing satisfied viewing experience.

Rich Interfaces

Coming with HDMI, VGA, AV1, AV2 input signals to meet different needs of various professional display applications.

Metal Housing

Whole device with metal housing design, which make a good protection from damage, and good-looking appearance, also extend the lifetime of monitor.

Open Frame

Having a variety of mounting usage in plenty of fields, such as rear (open frame), wall, 75mm VESA, desktop and roof mounts.



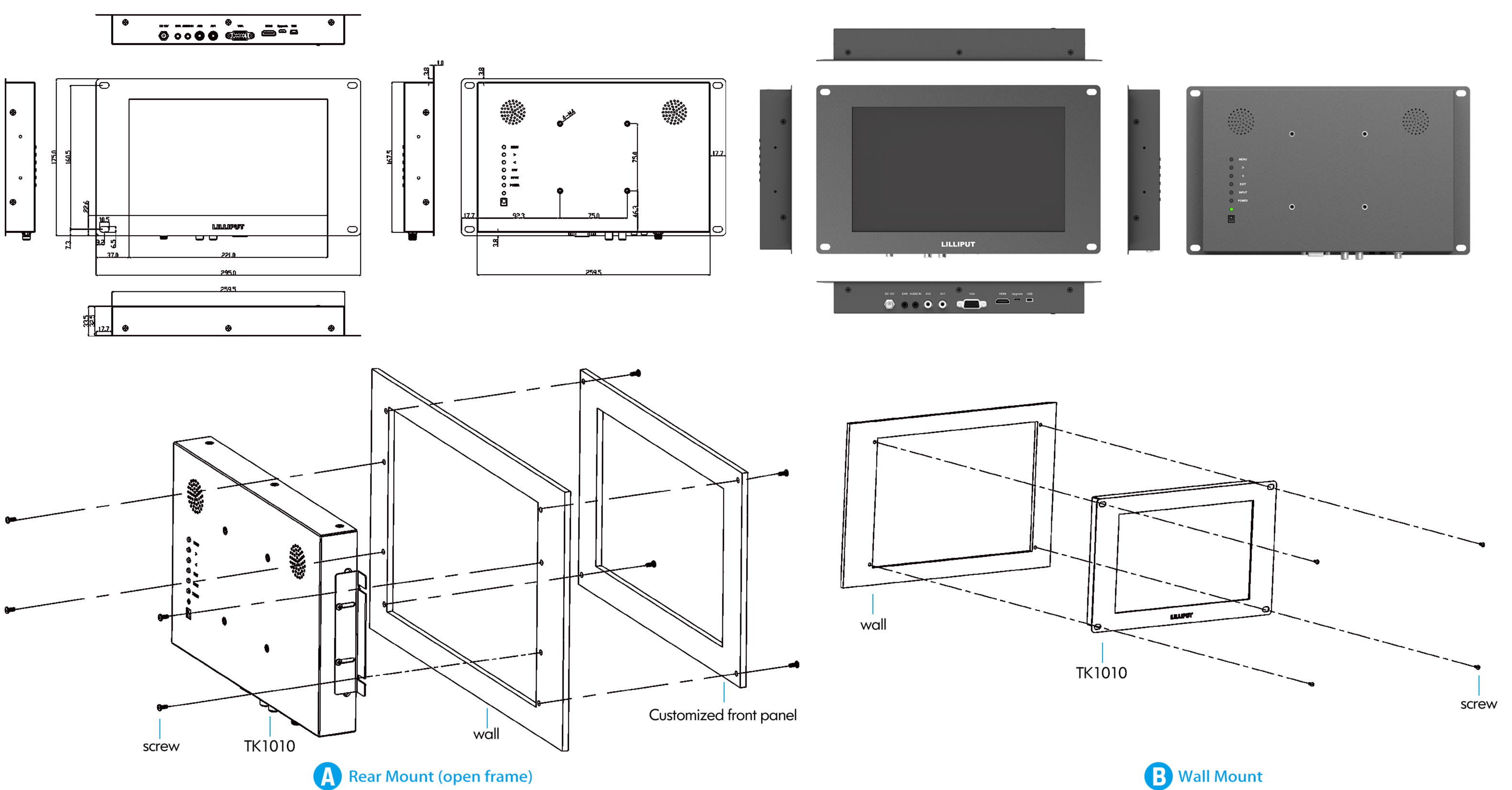
APPLICATION INDUSTRIES

Metal housing design which can be applied in different professional fields. For instance, Human-machine interface, entertainment, retail, supermarket, mall, advertising player, CCTV monitoring, numerical control machine and intelligent industrial control system, etc.



Structure

Supports rear mount (open frame) with integrated brackets, and VESA 75mm standard, etc. A metal housing design with slim and firm features making efficient integration into embedded or other professional display applications.



SPECIFICATIONS | ACCESSORIES

DISPLAY	Display Screen	10.1" LED backlit
	Resolution	1024*600
	Aspect Ratio	16:9
	Touch Panel	4-wire resistive touch (optional)
	Contrast Ratio	500:1
INPUT AUDIO	Brightness	250cd/m ²
	Viewing Angle	140°/110° (H/V)
	Input Signal	HDMI, AUDIO, VGA, AV1 & AV2
POWER	Speaker	2
	Input Voltage	DC 7-24V
	Current	435mA (12V)
	Power Consumption	≤5.5W
ENVIRONMENT	Audio Output	≤3.5W
	Operating Temperature	-20℃~60℃
DIMENSION	Storage Temperature	-30℃~70℃
	Dimension(LWD)	295×175×33.5mm
	Weight	1.4kg

STANDARD	
1. HDMI A/A cable	1 piece
2. VGA cable	1 piece
3. Audio cable	1 piece
4. Open frame bracket or metal mount panel	1 piece
5. USB cable (for touch function only)	1 piece
6. Touch driver disk (for touch function only)	1 piece
7. Touch pen (for touch function only)	1 piece
8. 12V DC adapter	1 piece
9. Manual	1 copy
OPTIONAL	
1. VESA folding bracket	1 piece
2. A/V cable	1 piece
3. Remote control	1 piece

Note: Due to constant effort to improve products and product features, specifications may change without notice.

