

LILLIPUT®

15" LED INDUSTRIAL TOUCH MONITOR OPEN FRAME DESIGN FOR OPTIONAL

TK1500-NP/C/T TK1500-NP/C
Industrial touch monitor series for embedded display solutions.

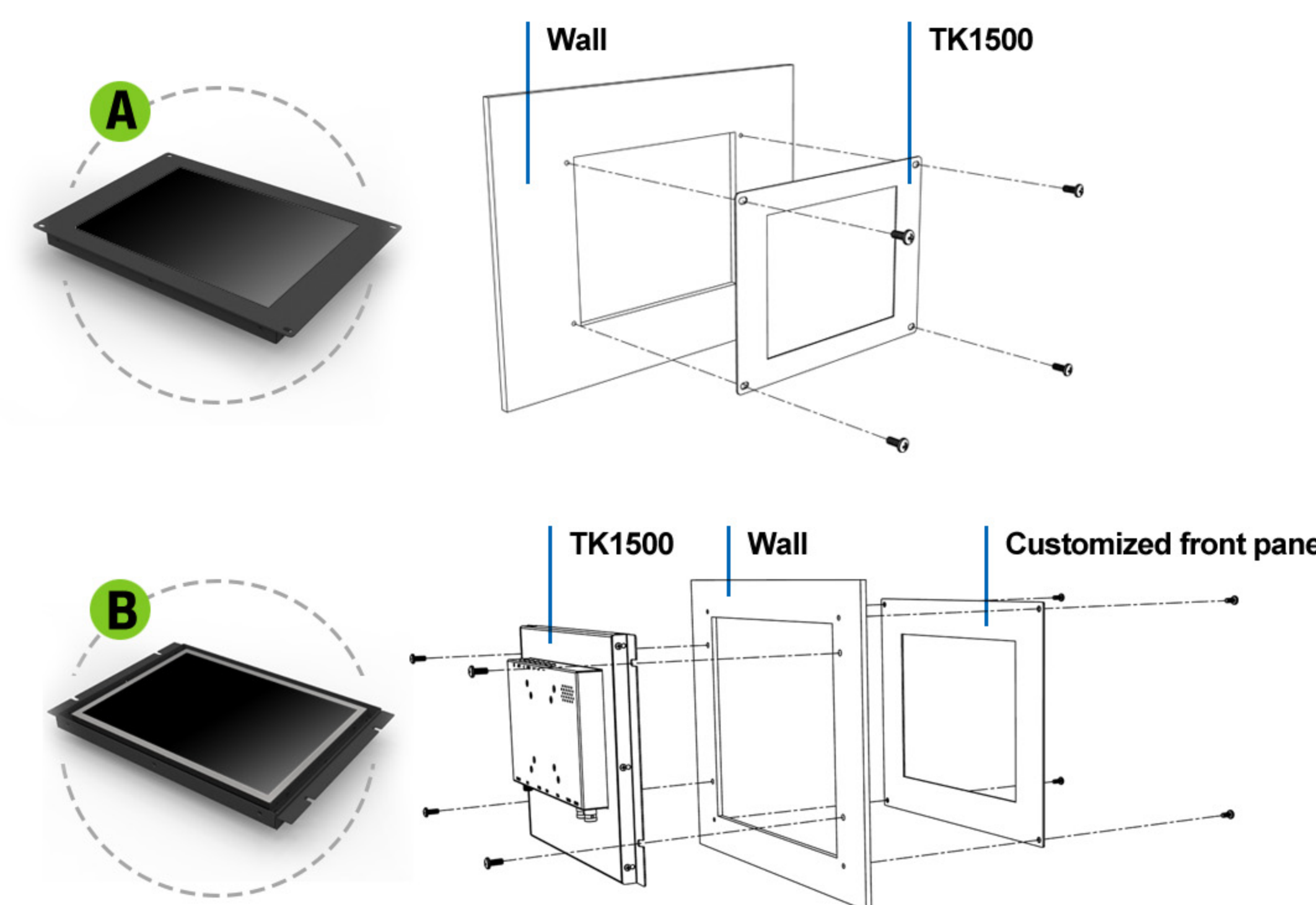
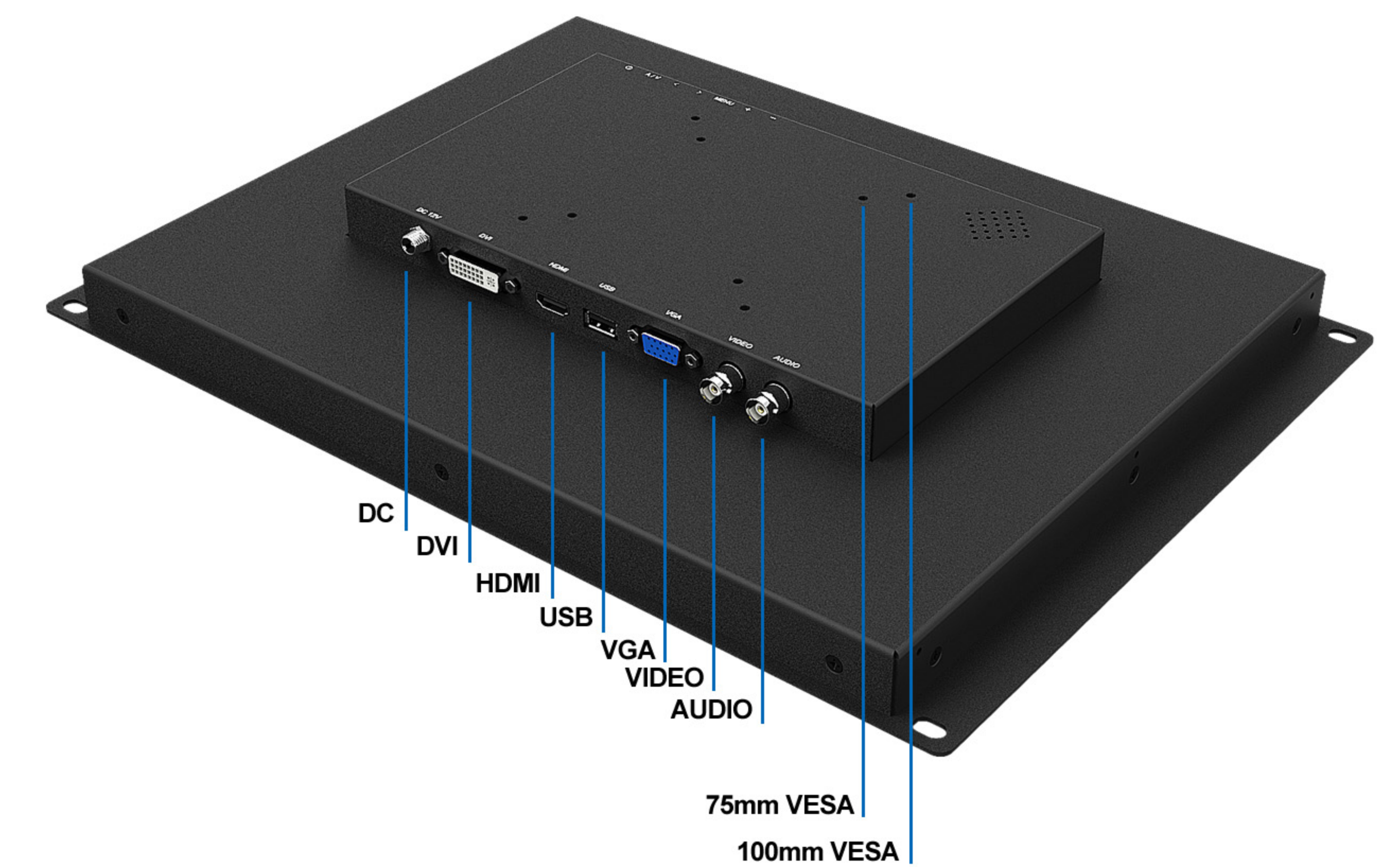


- 15" 1024×768 high resolution
- Aspect ratio: 4:3
- Touch panel: 5-wire resistive
- High contrast: 1500:1
- High brightness: 300cd/m²
- Viewing angle: 170° / 170° (H/V)
- HDMI, VGA, DVI & AV inputs
- Metal housing design
- Integrated bracket for easy installation
- VESA & rear mounting methods



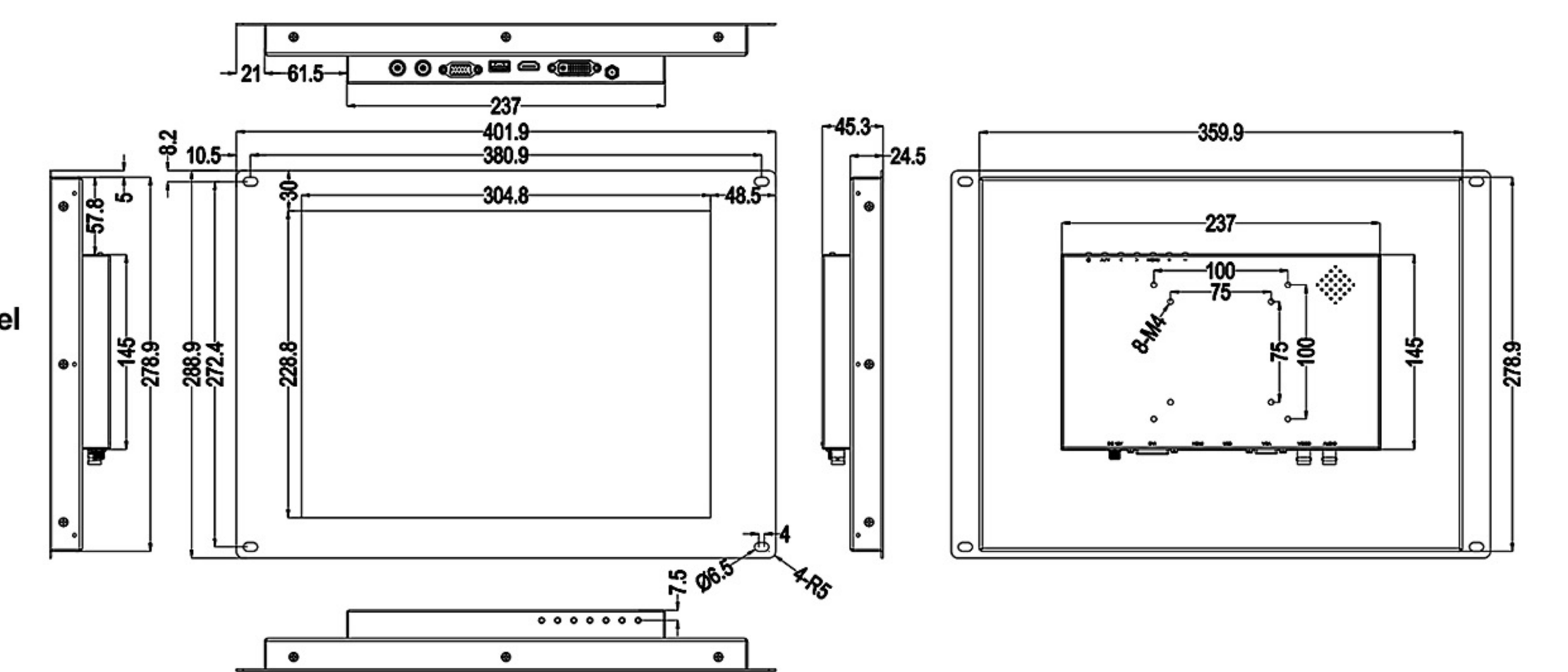
Applications

- KIOSK / POS machine
- Transportation machine
- Ticketing machine
- Financial ATM
- Entertainment / Gaming machine
- HMI equipment controller monitor
- Public communication machine
- Public advertisement machine
- ...



STRUCTURE

Lilliput LED industrial touch monitor series that supports rear mount (open frame) and VESA 75mm/100mm standard mounting with integrated bracket, a bezel-less design with slim and firm features making efficient integration into any embedded display applications.



DISPLAY

Panel	15" LED backlit
Physical Resolution	1024×768
Touch Panel	5-wire resistive
Aspect Ratio	4:3
Brightness	300cd/m ²
Contrast	1500:1
Viewing Angle	170°/170° (H/V)

INPUT

HDMI	1
DVI	1
VGA	1
USB	1 (for touch function)
Audio (BNC)	1
Video (BNC)	1

POWER

Current	1200mA
Input Voltage	DC 12V
Power Consumption	≤15W

ENVIRONMENT

Operating Temperature	-20°C ~ 60°C
Storage Temperature	-30°C ~ 70°C

DIMENSION

Mounting Method	VESA 75mm / 100mm, rear mount
Dimension(LWD)	402×289×45.5mm / 400×279×43.5mm (open frame)
Weight	3.2kg / 2.8kg (without touch panel)

ACCESSORIES

- HDMI A/A cable 1 piece
- VGA cable 1 piece
- Audio BNC cable 1 piece
- Video BNC cable 1 piece
- 12V DC adapter 1 piece
- Metal front panel or open frame bracket (optional) 1 piece
- DVI cable (optional) 1 piece



ACCESSORIES FOR TOUCH FUNCTION

- USB cable A-A 1 piece
- Drive disk 1 piece
- Touch pen 1 piece



Note: Due to constant effort to improve products and product features, specifications may change without notice.



WWW.LILLIPUT.COM



ZHANGZHOU LILLIPUT ELECTRONIC TECHNOLOGY CO., LTD.
Add : Zong Si Road, Lan Tian Economic Development Zone, Zhang Zhou, Fu Jian, 363005, China
Tel: +86-596-2109661/2109323
Fax: +86-596-2109611 Email: sales@lilliput.com