

User Guide



IMPORTANT SAFETY INSTRUCTIONS:

- Please read User Guide before using this product.
- Please keep User Guide for future reference.
- Please read the cautions to prevent possible danger and loss of property.

FEATURES:

- Multi-touch capacitive screen;
- Wide voltage: DC 7-24V;
- High brightness: 400cd/m²;
- High contrast: 500:1;
- Lux Auto Backlight (Optional).

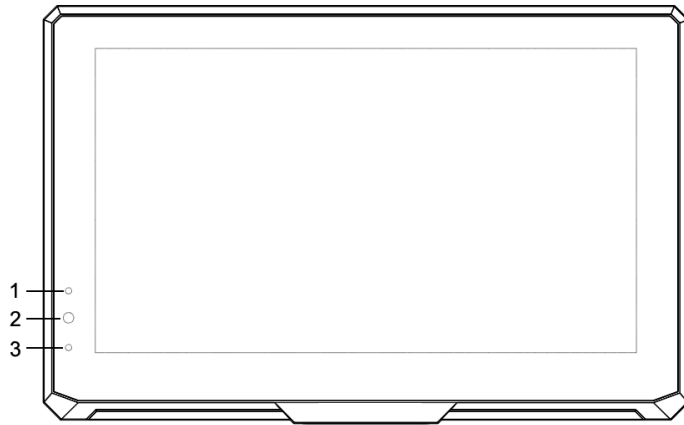
CAUTIONS:

1. Please do not place the display screen towards the ground.
2. Please avoid heavy impact or drop onto the ground.
3. Please do NOT use chemical solutions to clean this product. Please wipe with a clean soft cloth to maintain the brightness of the surface.
4. Please do not block any vent hole.
5. Please follow the instructions and trouble-shootings to adjust the product. Other improper adjustment may result in damage. Any further adjustment must be performed or conducted by a qualified technician.
6. Please unplug the power and remove the battery if long-term no-use.

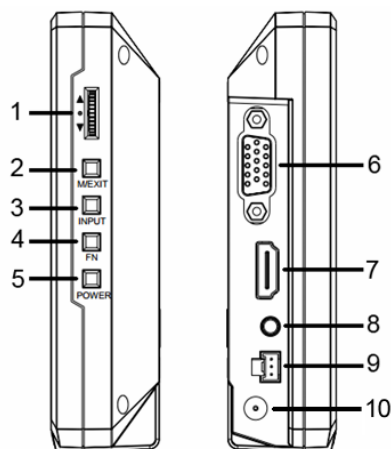
Contents

1. PRODUCT DESCRIPTION	2
2. REMOTE CONTROL.....	2
3. WIRING INSTRUCTIONS.....	4
4. MENU SETTING.....	5
5. ACCESSORIES.....	6
6. PAPAMETERS.....	7
7. INSTALLATION OF VESA BATTERY PLATE	7
8. TROUBLE SHOOTING	8

1. PRODUCT DESCRIPTION

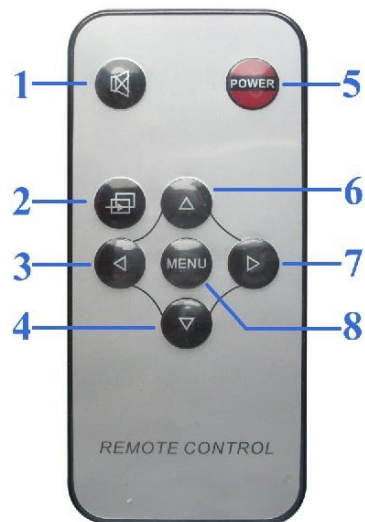


1. Auto backlight receiving window.
2. Infrared signal receiver (work with remote control).
3. Battery indicator light (red while standby; green while working).



1. Dial: Turn the dial to adjust volume;
Turn the dial to select menu option and adjust the option value;
Press the dial to confirm.
2. M/EXIT: To activate or exit OSD menu.
3. INPUT: circularly switch among of AV1, AV2, VGA, HDMI and DVI.
4. FN: Image auto capture function under VGA mode;
Underscan function under HDMI mode.
5. POWER: ON/OFF.
6. VGA input interface.
7. HDMI/DVI input interface.
8. AV input interface.
9. I/O control interface.
10. DC power input.

2. REMOTE CONTROL



1. MUTE
2. Circularly switch among of AV1, AV2, VGA, HDMI and DVI.
3. ◀ : Left move, Volume down or to adjust the value of setting function.
4. ▼ : Down move, to select function on OSD.
5. POWER: ON/OFF.
6. ▲ : UP move, To select function on OSD.
7. ▶ : Right move, Volume up or to adjust the value of setting function.
8. MENU: To activate OSD (on-screen display) menu.

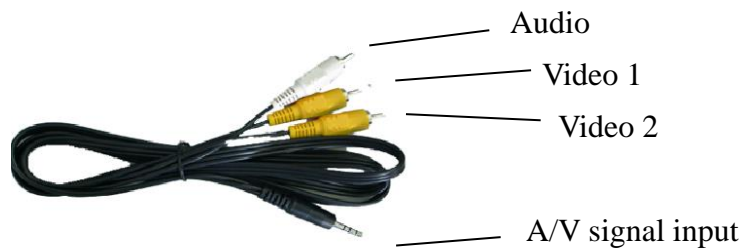
3. WIRING INSTRUCTIONS

I/O control line



1. Blue: Video trigger 1
2. Black: GND
3. Green: Video trigger 2

Composite cable

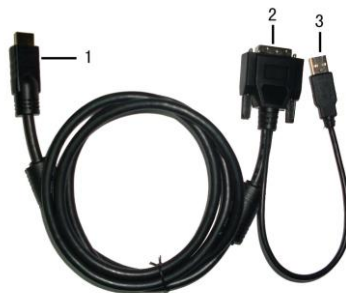


HDMI to HDMI cable



1. HDMI signal input end
2. HDMI signal input connect device with HDMI signal
3. USB port connect computer for touch function

HDMI to DVI cable (optional):



1. HDMI signal input end.
2. DVI signal input connect with device with DVI signal.
3. USB connect with the USB port of computer for touch function.

4. MENU SETTING

Before setting the functions, please make sure the device is connected correctly.

Press “M/EXIT” button to activate menu setting on screen after power on. Press again to return to previous menu after option confirmed.

Turn the dial to select menu option and adjust value.

Press “INPUT” button to confirm.

4-1. AV&HDMI Mode

Brightness	◀	50	▶
Contrast	◀	50	▶
Saturation	◀	50	▶
Sharpness	◀	50	▶
Tint	◀	50	▶
Color Temp	◀	User	▶
Aspect	◀	16 : 9	▶
Image Flip	◀	OFF	▶
Auto Backlight	◀	OFF	▶
Backlight	◀	50	▶
Reset	◀	OFF	▶
Language	◀	English	▶

4-2. DVI Mode

Brightness	◀	50	▶
Contrast	◀	50	▶
Color Temp	◀	User	▶
Aspect	◀	16 : 9	▶
Image Flip	◀	OFF	▶
Auto Backlight	◀	OFF	▶
Backlight	◀	50	▶
Reset	◀	OFF	▶
Language	◀	English	▶

4-3. VGA Mode

Brightness	◀	50	▶
Contrast	◀	50	▶
Color Temp	◀	User	▶
Phase	◀	0	▶
Clock	◀	50	▶
H Position	◀	50	▶
V Position	◀	50	▶
Aspect	◀	16 : 9	▶
Image Flip	◀	OFF	▶
Auto Backlight	◀	OFF	▶
Backlight	◀	50	▶
Reset	◀	OFF	▶
Language	◀	English	▶

ITEMS	OPTIONS
Brightness	0 – 100
Contrast	0 – 100
Saturation	0 – 100
Sharpness	0 – 100
Tint	0 – 100
Color Temp	D65, D75, D93, User
Phase	0 – 100
Clock	0 – 100
H Position	0 – 100
V Position	0 – 100
Aspect	16:9, 4:3
Image Flip	OFF, H, V, H&V
Auto Backlight	OFF, ON
Backlight	0 – 100
Reset	OFF, ON
Language	English, Chinese

5. ACCESSORIES

Standard accessories:



- | | | |
|----|--------------------|---------|
| 1. | 12 DC adapter | 1 piece |
| 2. | VGA cable | 1 piece |
| 3. | HDMI to HDMI cable | 1 piece |
| 4. | Composite | 1 piece |
| 5. | I/O control line | 1 piece |
| 6. | Remote control | 1 piece |
| 7. | Bracket | 1 piece |
| 8. | Car power adapter | 1 piece |
| 9. | Manual | 1 copy |

Optional accessories

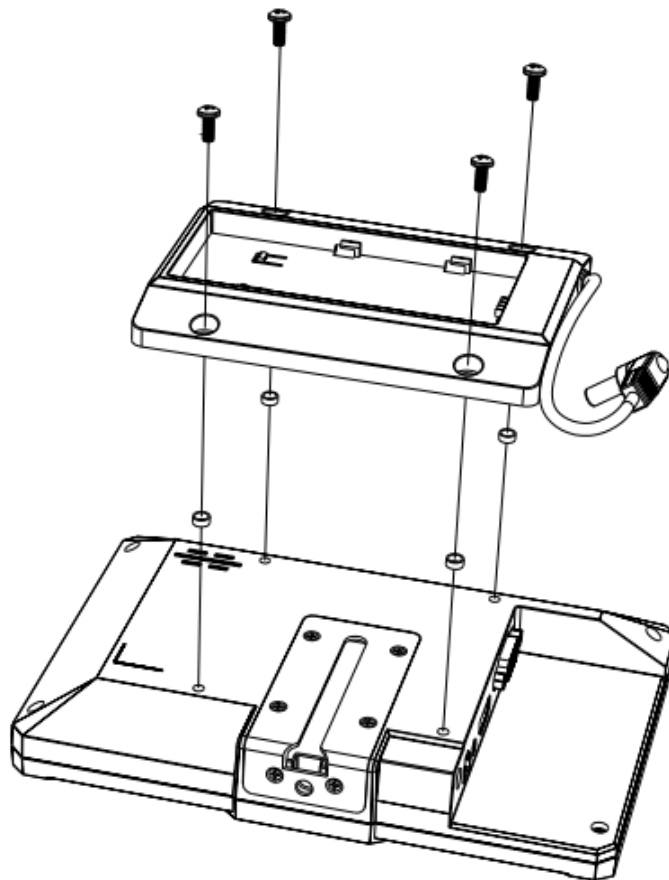


- | | | |
|----|-----------------------------------|---------|
| 1. | HDMI to DVI cable | 1 piece |
| 2. | VESA battery plate& Battery plate | 1 pair |
| 3. | VESA folding bracket | 1 piece |

6. PAPAMETERS

Panel	7" LED Backlight
Physical Resolution	800×480
Brightness	400cd/m ²
Contrast	500: 1
Viewing Angle	140 ° 120 °(H/V)
Input Voltage	DC 7-24V
Input Signal	AV1, AV2, VGA, DVI and HDMI
Support OS	Windows 7 or Windows 8
Current	350mA
Power Consumption	≤ 4.5W
Operating Temperature	-20°C~60°C
Storage Temperature	-30°C~70°C
Dimension (LWD)	185×118.5×29.5mm
Weight	415g

7. INSTALLATION OF VESA BATTERY PLATE



8. TROUBLE SHOOTING

1. Only black-and-white display:

Check whether the color saturation is properly setup or not.

2. Power on but no pictures:

Check whether the cables of AV1, AV2, VGA, DVI and HDMI are correctly connected or not. Please use the standard power adapter coming with the product package. Improper power input may cause damage.

3. Wrong or abnormal colors:

Check whether the cables are correctly and properly connected or not. Broken or loose pins of the cables may cause a bad connection.

4. Image display error when power on:

Press FN button to zoom in/out image automatically when receiving HDMI signal.

5. Other problems:

Please press “M/EXIT” button and choose “Reset →ON”

6. Image position offset:

Image auto capture function available when press FN button under VGA mode

Note: due to constant effort to improve products and product features, specifications may change without notice.

